

1 2 3 4 5 6 7 8

A

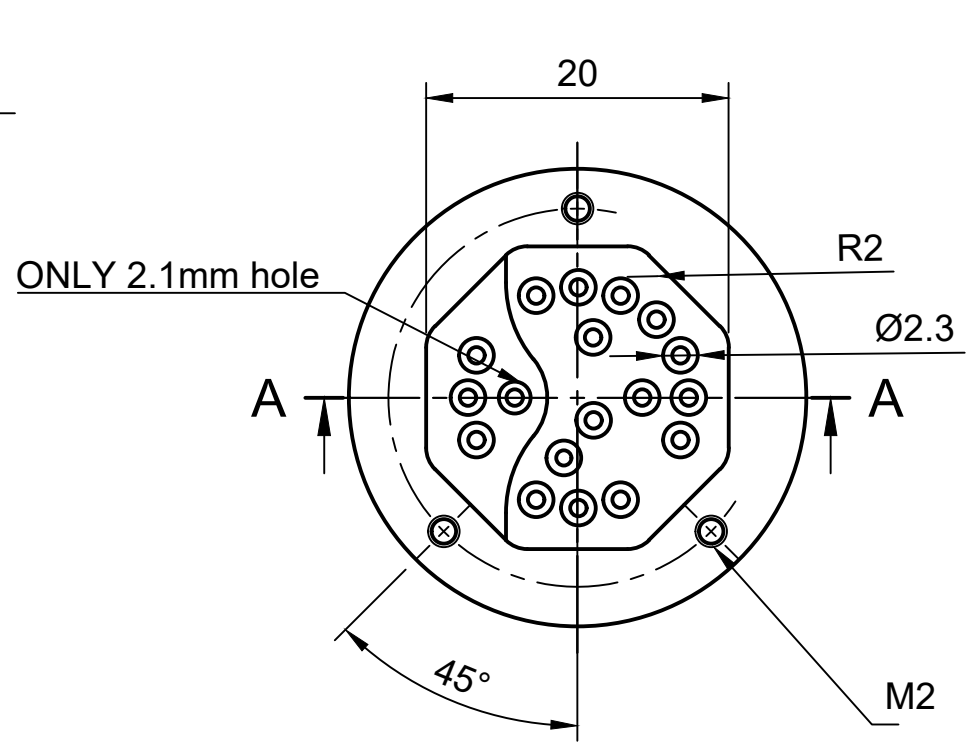
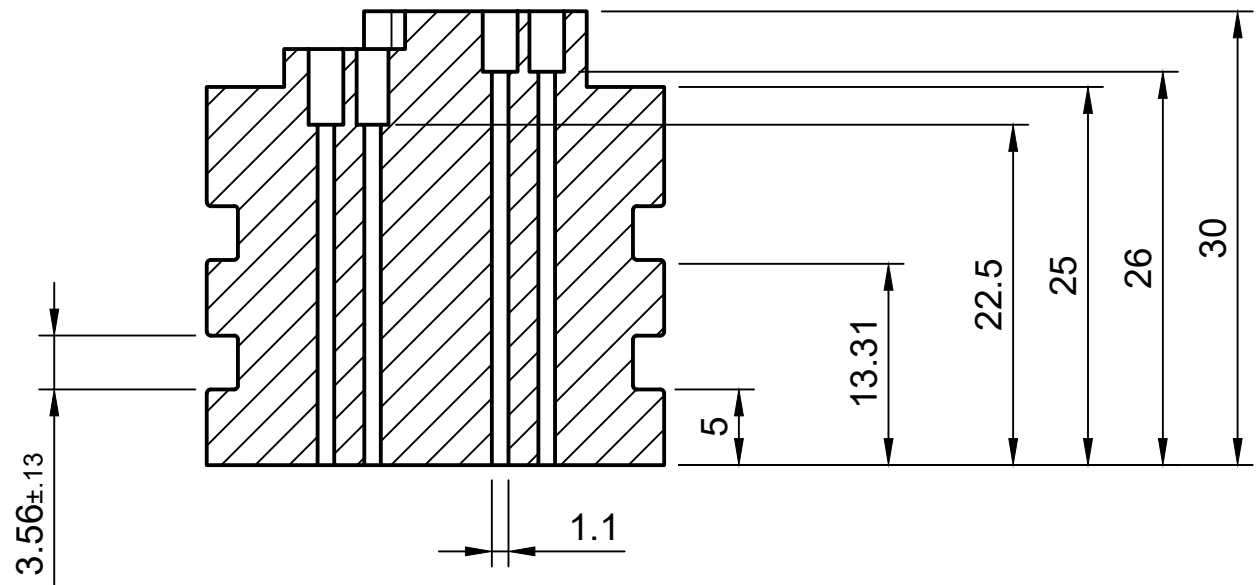
B

C

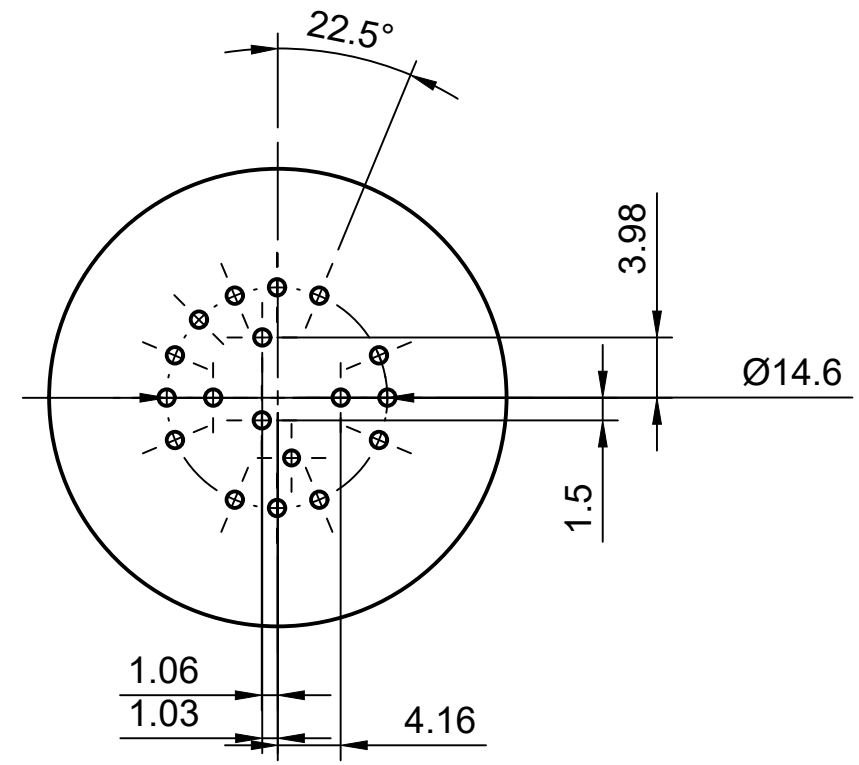
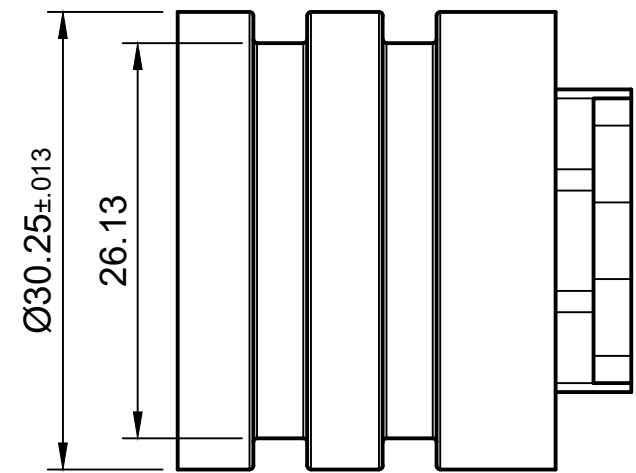
D

E

F



All radii on grooves
0.25mm+0.13



Dept.	Technical reference	Created by Ben Legg	20/08/2020	Approved by NL
All holes 2.3mm on front surfaces except one hole at 2.1mm D. 0.8Ra surface finish All small holes at 1.1mm D		Document type Final Update		Document status
		Title S1000 Series Transducer		DWG No.
		Rev.	Date of issue	Sheet 1/1

1 2 3 4 5 6 7 8